



## FPS58 Fixed Passenger Stair

### Specifications

#### Structure:

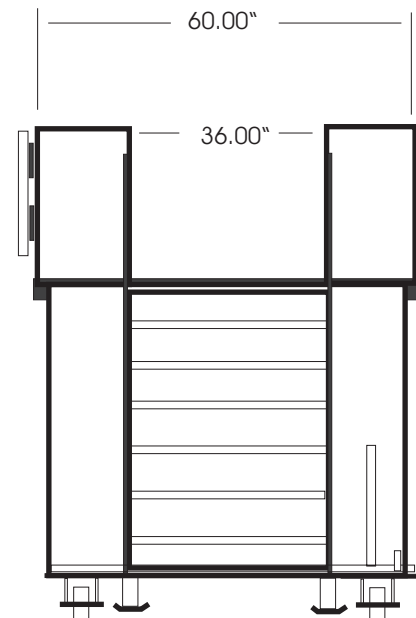
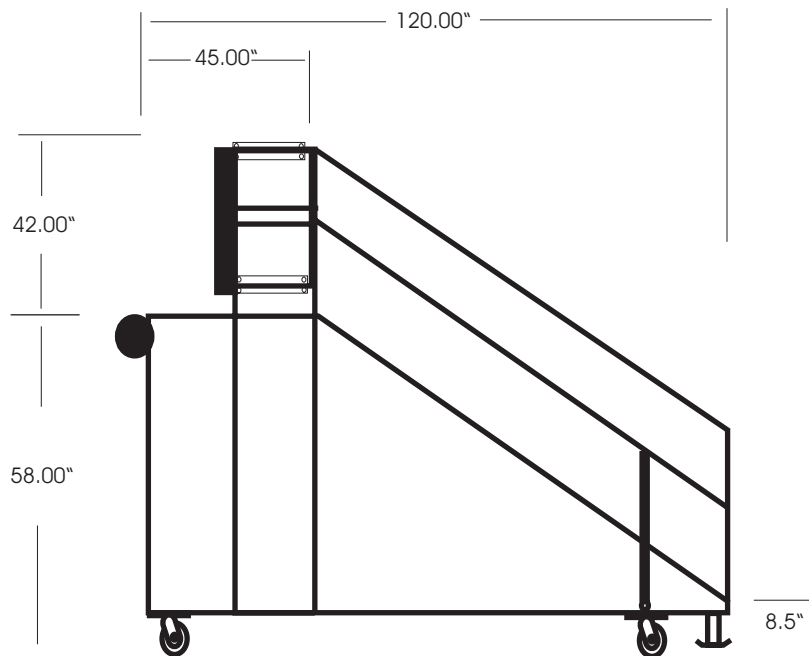
- \* Main structure - 1 ¼" structural steel tubing
- \* Stair treads 12 gauge sheet metal
- \* Platform 12 gauge sheet metal
- \* 7" Casters - front and back
- \* Rear stabilizer
- \* Stair and platform have non-skid surfaces

#### Platform:

- \* Size - 45" X 60"
- \* 4 ½" Soft rubber bumper the entire length of the platform
- \* Adjustable sliding wing on the left side with 1 ½" soft rubber bumper
- \* Positive detent for positioning adjustable wing

#### Options:

- \* Adjustable sliding wing both sides
- \* Modesty side sheilds
- \* Stair lighting w/battery and charger
- \* Solar charging system
- \* Available in alternate heights



**Phoenix Metal Products 3000 Industrial Avenue 3 Ft. Pierce, Fl. 34946**

**Ph 561-595-6386 Fax 561-595-6389**

**Email Address: phoenixgse@earthlink.net**

**URL: www.phoenixgse.com**