



PNX-PPS60/90

PASSENGER STAIR

1. Structure

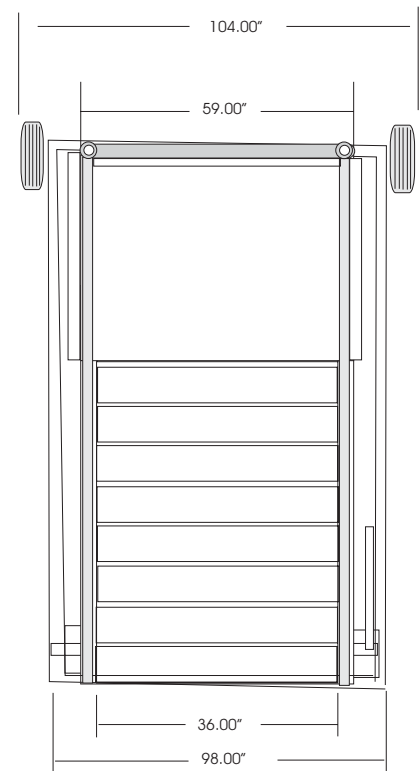
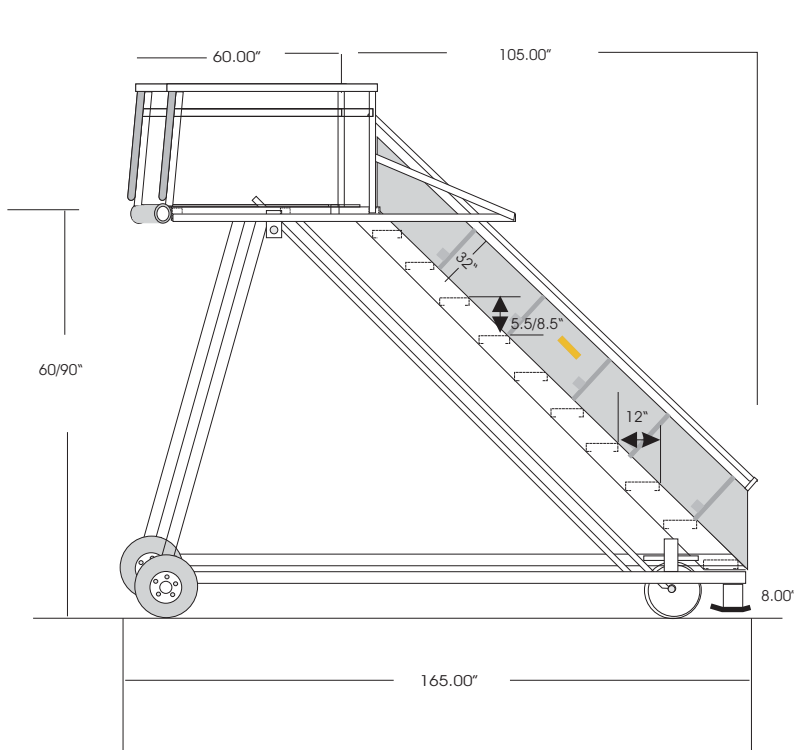
- 1.1 Chassis Gauge Structural Steel Tubing
- 1.2 Stair Section All Aluminum
- 1.3 Non Skid Stair Steps
- 1.4 Adjustable Top Platform Handrails to Allow for Aircraft Door Opening
- 1.5 Front Solid Tires, Rear Casters

2. Features

- 2.1 Stair Lighting with Battery and Charger
- 2.2 Hand Operated Pump for Hydraulic System
- 2.3 Tow Bar with Storage Brackets
- 2.4 Rear Hydraulic Stabilizer, Casters in Rear
- 2.5 Aluminum Hand Rails

3. Options

- 3.1 Solar Charging System
- 3.2 Two Tone Paint



Specification Subject to Change Due to Product Improvement

Phoenix Metal Products, Inc. 3000 Industrial Avenue, # 3, Ft Pierce, FL 34946
 Phone: 772-595-6386 - Fax: 772-595-6389
 Email: phoenixgse@earthlink.net URL: www.phoenixgse.com