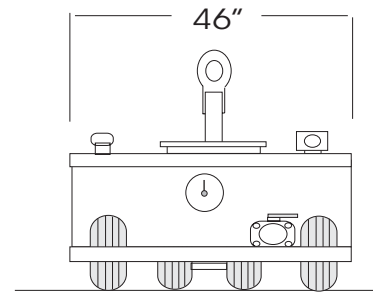
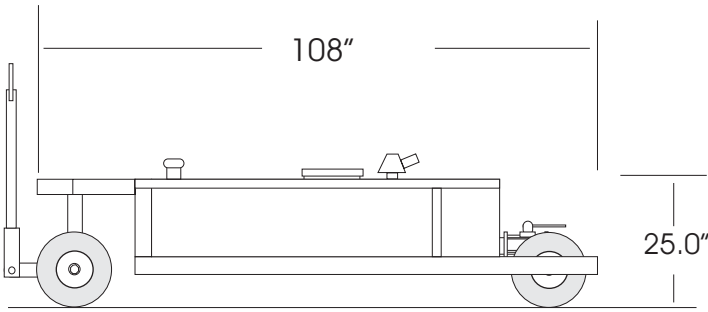




## Low Profile Lavatory Service Cart

PNX-LC100LP



### Specifications

#### Tanks:

- \* Waste: 50 gallons
- \* Charge: 50 gallons

#### Features:

- \* Low profile design
- \* Stainless steel tanks
- \* Positive drain on waste tanks
- \* 12" Hinged inspection cover on waste tank
- \* Chassis constructed of heavy gauge tube
- \* 4.10 X 3.5 Pneumatic tires
- \* Front wheel positive brake system
- \* Hand pump
- \* 15' Charge hose with shutoff valve
- \* Charge hose drain back
- \* 3" Ball dump valve
- \* 8' 4" Waste hose with straight coupling
- \* Dial face meter
- \* Waste hose stowage nipple
- \* Insect protection
- \* Sight gauge flush tank

#### Options:

- \* Full insulation, top bottom & sides
- \* Immersion heater and thermostat
- \* Full enclosure
- \* Electric pump with charger
- \* Closed dump adapter

#### Shipping Dimensions:

Width: 46"  
 Length: 118"  
 Height: 27"  
 Weight Approx: 550 lbs.

Specification Subject to Change Due to Product Improvement  
 Phoenix Metal Products, Inc., 3000 Industrial Avenue, #3, Ft. Pierce, FL 34946  
 Phone: 772-595-6386 - Fax: 772-595-6389  
 Email: [phoenixgse@earthlink.net](mailto:phoenixgse@earthlink.net)  
 URL: [www.phoenixgse.com](http://www.phoenixgse.com)