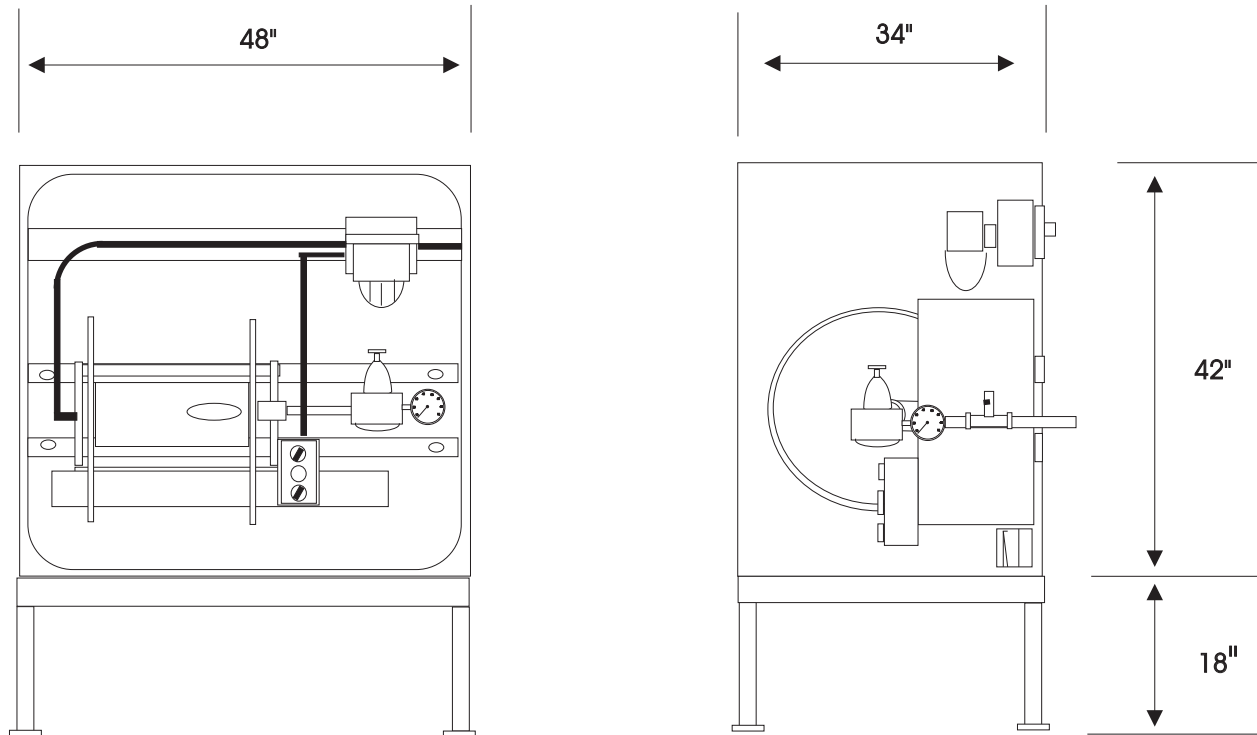




## PNX-WC98 Phoenix Potable Water Cabinet



## SPECIFICATIONS

### DIMENSIONS

HEIGHT: 42"  
WIDTH: 34"  
LENGTH: 48"  
WIEGHT: 550 LBS

### OPTIONS

HEAT 1550 WATTS  
MANUAL HOSE GUIDE  
GROUND MOUNTING STAND

**Phoenix Metal Products 3000 Industrial Avenue 3 Ft. Pierce, Fl. 34946**  
**Ph 772-595-6386 Fax 772-595-6389 Email Address:**  
**[www.phoenixgse@earthlink.net](mailto:www.phoenixgse@earthlink.net) URL: [www.phoenixgse.com](http://www.phoenixgse.com)**