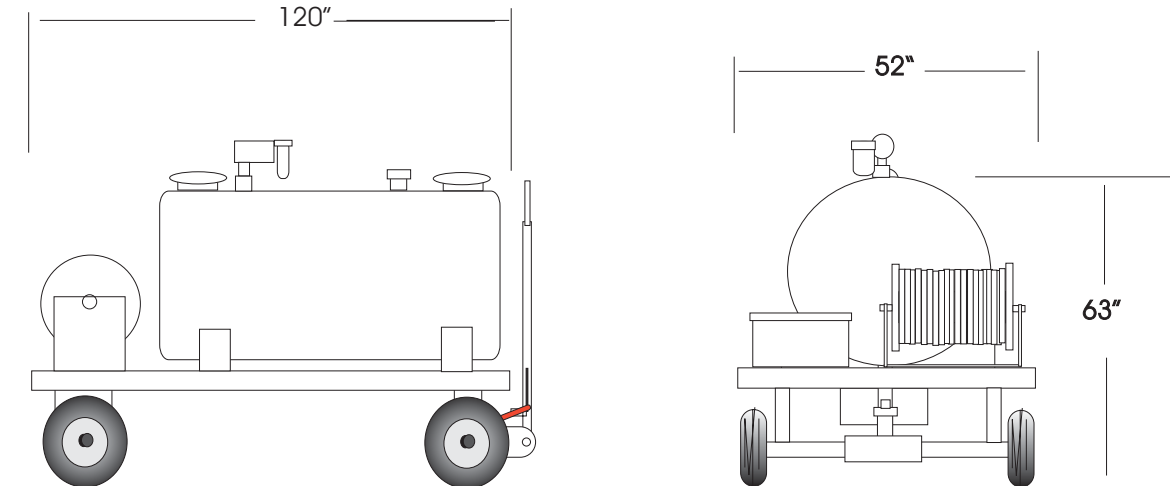




## FUEL SERVICE CART (ELECTRIC)

FSCE270



### SPECIFICATIONS

#### Chassis

- Structural Steel Chassis
- 5<sup>th</sup> Wheel Steering
- Removable Spindles
- 6.90 X 9 Pneumatic Tires

#### Tank

- 270 Gallons
- Double Wall Construction
- (2) 4" Safety Vents
- 2" Safety Fill Cap with Vent

#### Pump System

- 12 Volt Electrical
- Fuel Filter
- Explosion Proof Wiring
- 15' 3/4" Fuel Hose with Safety Nozzle
- Battery & 110V Charger in Weather Tight Stainless Steel Enclosure

#### Options

- Hose Reel with 50' - 3/4" Hose

**Specification Subject to Change Due to Product Improvement**

Phoenix Metal Products, Inc., 3000 Industrial Avenue 3 – Ft. Pierce, FL 34946  
Phone: 772-595-6386 Fax: 772-595-6389  
Email: [phoenixgse@earthlink.net](mailto:phoenixgse@earthlink.net) URL: <http://www.phoenixgse.com>