



WT600PL Potable Water Service Truck

TANK:

- * Water Tank 600 Gallons
- * All Material is Stainless Steel
- * All Fittings are Stainless Steel or Bronze
- * Fill Gauge
- * Hinged Inspection Cover
- * Insect Protection

TANK PLATFORM:

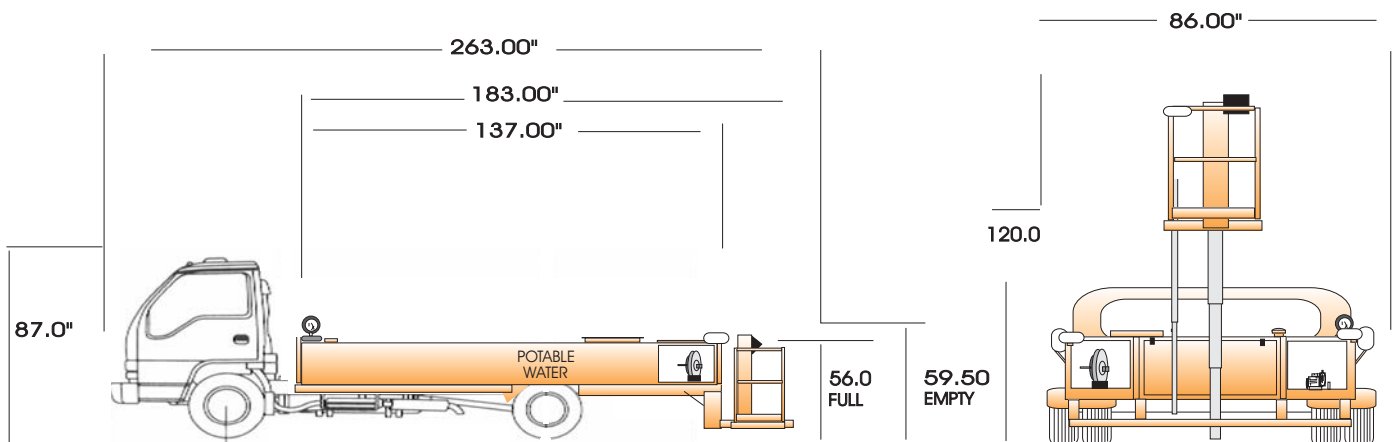
- * Heavy Gauge 2" X 3" Structural Stainless Steel Tube Frame
- * Stainless Steel Bottom and Sides
- * 1/2" Exterior Grade Plywood Tank Cushion
- * Removable Stainless Steel Exterior Panels
- * Access Doors Stainless Steel with Bolt on Stainless Steel Hinges
- * Aluminum Tread Plate Top Deck
- * Aluminum Rear Splash Guards
- * Rubber Reat Top Bumpers

AIRCRAFT SERVICES SYSTEM:

- * Electrically Actuated Engine Driven Clutch to Provide Power for Hydraulic System
- * Bronze Direct Drive Water Pump
- * Stainless Steel Hydraulic Tank W/Filter
- * Pumps 20GPM @ 40 PSI
- * 3/4" Quick Coupling
- * 25' Reinforced PVC Hose
- * 60 Micron Filter
- * Interlock for Pumping in Park
- * Rear Step Bumper
- * 1 1/4 Tank Drain Valve
- * Spring Rewind Hose Reel
- * Rear Service Spotlight
- * Rear Compartment Service Light
- * Closed Tank Fill System
- * Rear indicator Flags

OPTIONS:

- * Full Insulation 2" Bottom, 2" Top & 1" Sides
- * Tank Immersion Heater
- * Rear Compartment Hot Water Space Heater
- * 110 Volt Compartment Space Heater
- * Wide Body Personnel Lift
- * Electric Pump
- * Safety Chocks w/ Holder
- * Back Up Alarm
- * Amber Flashing Beacon
- * Gripstrut Top Deck
- * Recessed Top Deck Access Ladder
- * Grill and Body Guards
- * Transmission Safety Interlock (Locks in Park)
- * Hand Brake Interlock
- * Hour Meter
- * Larger Tank Capacity
- * All Stainless Steel Construction
- * Available Chassis Ford, Isuzu and GMC



Specification Subject to Change Due to Product Improvement, Chassis Manufacturer Changes or Availability of Chassis

Phoenix Metal Products, Inc., 3000 Industrial Avenue, #3, Ft. Pierce, FL 34946
 Phone: 772-595-6386 - Fax: 772-595-6389
 email: phoenixgse@earthlink.net