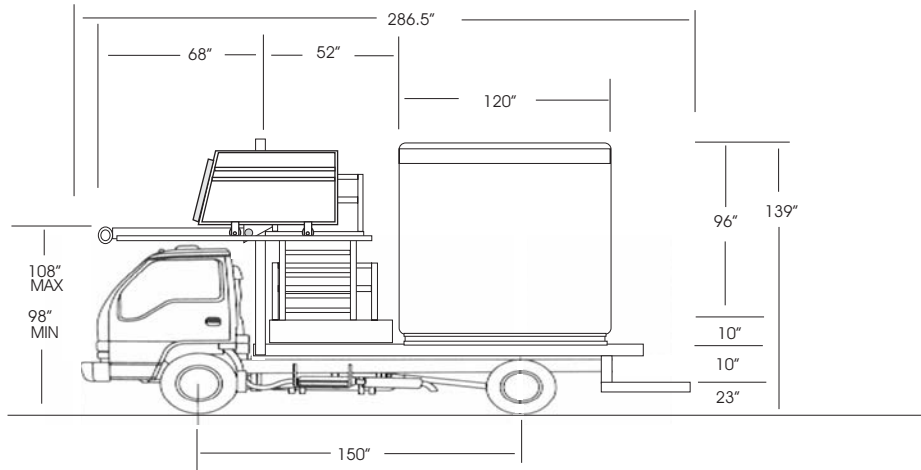


# PROVISIONING VAN

# PV120



## SPECIFICATIONS

### CHASSIS:

ISUZU CAB OVER  
NPR 14,500 LBS GVWR  
DIESEL ENGINE  
150" WB

### BOX:

10' L X 96"W X 84"H (INSIDE)  
RFP EXTERIOR  
ALUMINUM ROOF  
3/32 GLASS BOARD INTERIOR  
(2) 48"W ROLL UP DOORS  
2" POURED URETHANE INSULATION  
12 GAUGE DIAMOND PLATE FLOOR

### STAIR/ PLATFORM:

HEAVY GAUGE STRUCTURAL TUBING  
PARALLELOGRAM STAIR  
GRIP STRUT STAIR TREADS AND STAIR PLATFORMS  
MEETS OSHA & SAE ARP 836B CRITERIA FOR STAIRS  
NON SKID TOP PLATFORM  
HYDRAULICALLY ADJUSTABLE HEIGHT PLATFORM  
98" MIN./ 108" MAX.  
STAIR PLATFORMS 24" X 36"  
ADJUSTABLE ALUMINUM SIDE WINGS  
NON MARRING BUMPERS ON PLATFORM AND WING LEADING EDGES

### BOX INTERIOR:

STAINLESS STEEL SHELVING  
BEER DRAIN PUMP/ RESERVOIR  
LED INTERIOR LIGHTING  
NON SKID FLOORING  
ICE RECEPTACLE HOLDER

### MISCELLANEOUS:

(4) SPOTLIGHTS ON BOX  
(2) SPOTLIGHTS ON PLATFORM  
(1) SPOTLIGHT ON STAIRS

GRIP STRUT REAR BUMPER  
AND STEP DECKING

WHEEL CHOCKS AND HOLDERS  
TRASH CAN AND MOP HOLDERS