



PNX-PPS96/150

PASSENGER STAIR



The Phoenix Metal Products, Inc. PPS96/150 is a parallelogram stair that services commercial aircraft with doorsills from 96" to 150". The PPS96/150 is a non-motorized vehicle with solid wheels in the front and 12" casters in the rear. A towbar is standard to transport to remote areas. Both sides of the platform have fully retractable wings and the stair section has modesty shields and lights for night operations. The light system has a battery and charger. Non-marring bumpers protect all surfaces that contact the aircraft. The chassis of the stair is constructed of heavy wall structural tubing. The stair and platform are made using structural aluminum tubing with formed aluminum stair tread risers. A hydraulic cylinder powered by a hand pump raises the platform. The stair is locked into position with safety latches on both sides of the "A" frame.

Phoenix Metal Products 3000 Industrial Avenue 3 Ft. Pierce, FL. 34946
Ph 772-595-6386 Fax 772-595-6389
Email Address: phoenixgse@earthlink.net URL: www.phoenixgse.com



METAL PRODUCTS, INC.

PNX-PPS96/150 PASSENGER STAIR

SPECIFICATIONS

1. Structure

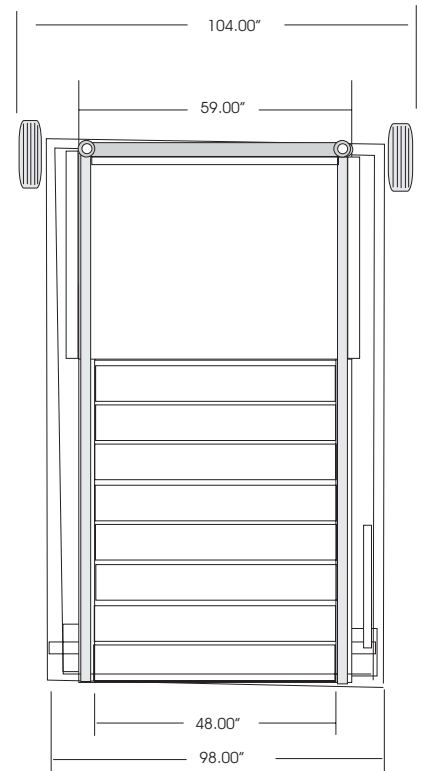
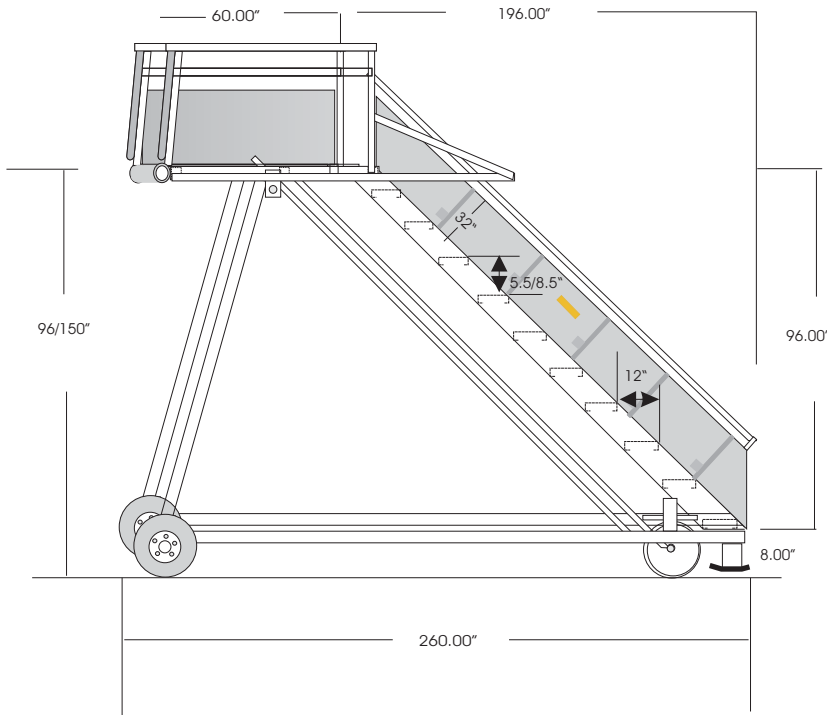
- 1.1 Chassis Heavy Gauge Structural Steel Tubing
- 1.2 Stair Section All Aluminum
- 1.3 Non Skid Stair Steps
- 1.4 Adjustable Top Platform Handrails to Allow for Aircraft Door Opening
- 1.5 Front Solid Tires, Rear Casters

2. Features

- 2.1 Stair Lighting with Battery and Charger
- 2.2 Hand Operated Pump for Hydraulic System
- 2.3 Tow Bar with Storage Brackets
- 2.4 Rear Hydraulic Stabilizer, Casters in Rear
- 2.5 Aluminum Hand Rails

3. Options

- 3.1 Solar Charging System
 - 3.2 Two Tone Paint
4. Shipping Dimensions
Broke Down
284" Long X 96" Wide X 116" High
Weight 2500 Lbs.



Specification subject to change due to products improvement.

Phoenix Metal Products, Inc. 3000 Industrial Avenue 3-Fort Pierce, FL 34946

Phone: 772-595-6386 Fax: 772-595-6389

Email: phoenixgse@earthlink.net URL: www.phoenixgse.com