



PNX-PPS60/90

PASSENGER STAIR



The Phoenix Metal Products, Inc. PPS60/90 is a parallelogram stair that services commercial aircraft with doorsills from 60” to 90”. The PPS60/90 is a non-motorized vehicle with solid wheels in the front and 12” casters in the rear. A tow bar is standard to transport to remote areas. Both sides of the platform have fully retractable wings and the stair section has modesty shields and lights for night operations. The light system has a battery, charger and solar panel. Non-marring bumpers protect all surfaces that contact the aircraft. The chassis of the stair is constructed of heavy wall structural tubing. The stair and platform are made using structural aluminum tubing with formed aluminum stair tread risers. A hydraulic cylinder powered by a hand pump raises the platform. The stair is locked into position with safety latches on both sides of the “A” frame.



PNX-PPS60/90

PASSENGER STAIR

1. Structure

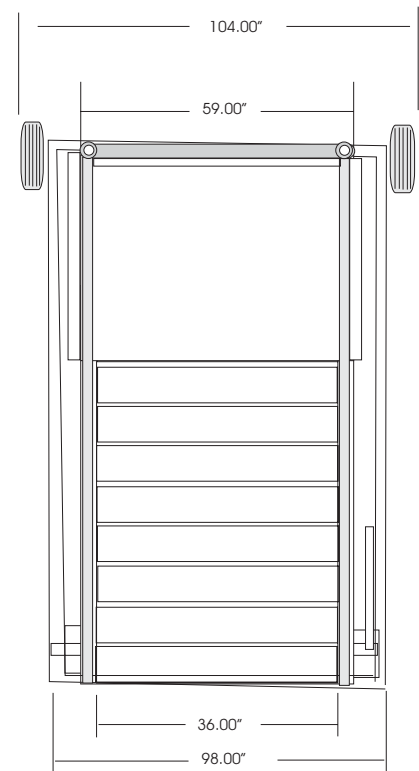
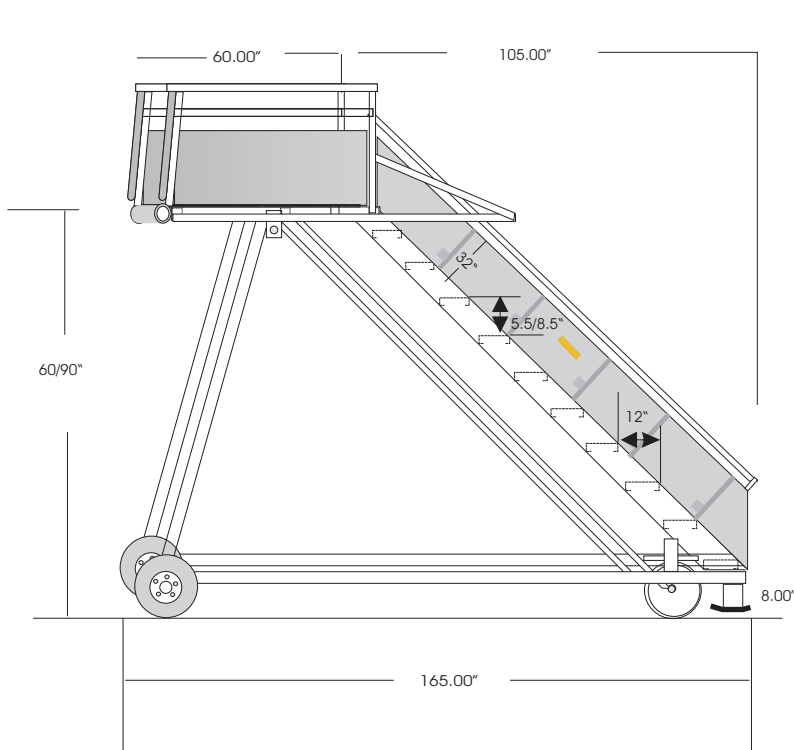
- 1.1 Chassis Gauge Structural Steel Tubing
- 1.2 Stair Section All Aluminum
- 1.3 Non Skid Stair Steps
- 1.4 Adjustable Top Platform Handrails to Allow for Aircraft Door Opening
- 1.5 Front Solid Tires, Rear Casters

2. Features

- 2.1 Stair Lighting with Battery and Charger
- 2.2 Hand Operated Pump for Hydraulic System
- 2.3 Tow Bar with Storage Brackets
- 2.4 Rear Hydraulic Stabilizer, Casters in Rear
- 2.5 Aluminum Hand Rails

3. Options

- 3.1 Solar Charging System
- 3.2 Two Tone Paint



Specification Subject to Change Due to Product Improvement

Phoenix Metal Products, Inc. 3000 Industrial Avenue, # 3, Ft Pierce, FL 34946
 Phone: 772-595-6386 - Fax: 772-595-6389
 Email: phoenixgse@earthlink.net URL: www.phoenixgse.com