



PAS200 T

Wide Body Towable Passenger Access Stair

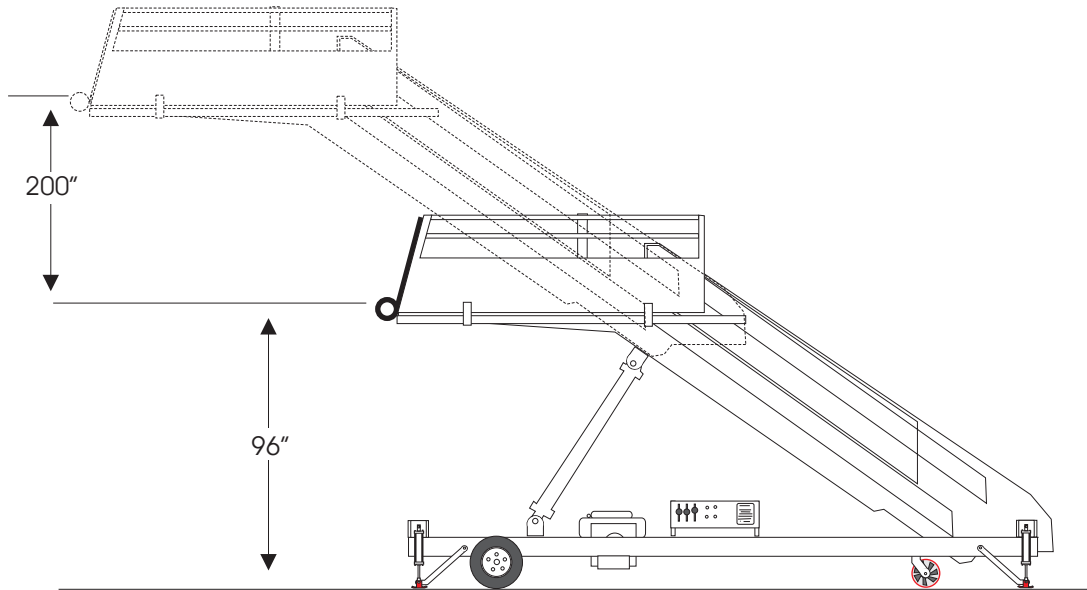


The Phoenix model PAS200 T stair is a towable version of our PAS200 truck mounted passenger stair. The PAS200 T will service commercial and military aircraft with door sill heights between 96" and 208" inches. The model PAS200 T is a two section stair with an "A" frame and four corner stabilizers. The chassis incorporates 4.00 x 8.0" solid tires at the aircraft end and 12" swivel casters at the rear.

The chassis and stair sections are constructed with heavy structural steel members and non-corrosive aluminum stair treads and handrails. Lighting for the platform, each step and ground area is standard. Bumpers at the aircraft end are also standard.

Power for raising and lowering the unit is accomplished with a gasoline engine driven hydraulic system. The direction control valves are mechanical and are easily accessible. An emergency hand pump to retract the stabilizers and lower the stair is a standard feature. The engine includes an electric start feature and an auxiliary alternator for charging the battery and powering the stair lights.

There is a fixed tow bar for moving the unit short distances with a tractor. The tow bar is retractable for stowage out of the operation area.



SPECIFICATIONS

SERVICING CAPABILITIES

Aircraft with a doorsill height from 96 inches to 208 inches.

LOAD CAPACITY

**Platform 900 lbs. (Evenly Distributed)
Steps 200 lbs.**

DIMENSIONS

Tread Depth	10.5 Inches
Tread Width	42 Inches
	47 Inches
Top Platform	59 Inches X 84 Inches
Overall Length	294 Inches Shipping
Width	80 Inches Shipping
Height	128 Inches Shipping
Weight	8,000 LBS.

HYDRAULIC SYSTEM

Pump: Gas Engine Driven

Valves: Mechanical

**Hydraulic Tank: Stainless Steel,
Vented**

Strainer: Internal 20 Mesh

Auxillary Pump: Manually Operated

CHASSIS

Structural Steel Tubing

4.00 X 8.0 Solid tires(Front)

12" Swivel casters (Rear)

Retractable tow bar

OPTIONS:

Platform Swivel Bumper

Two Tone Paint

SPECIFICATIONS SUBJECT TO CHANGE WITHOUT NOTICE.